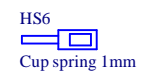
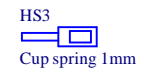
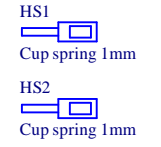
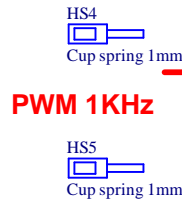
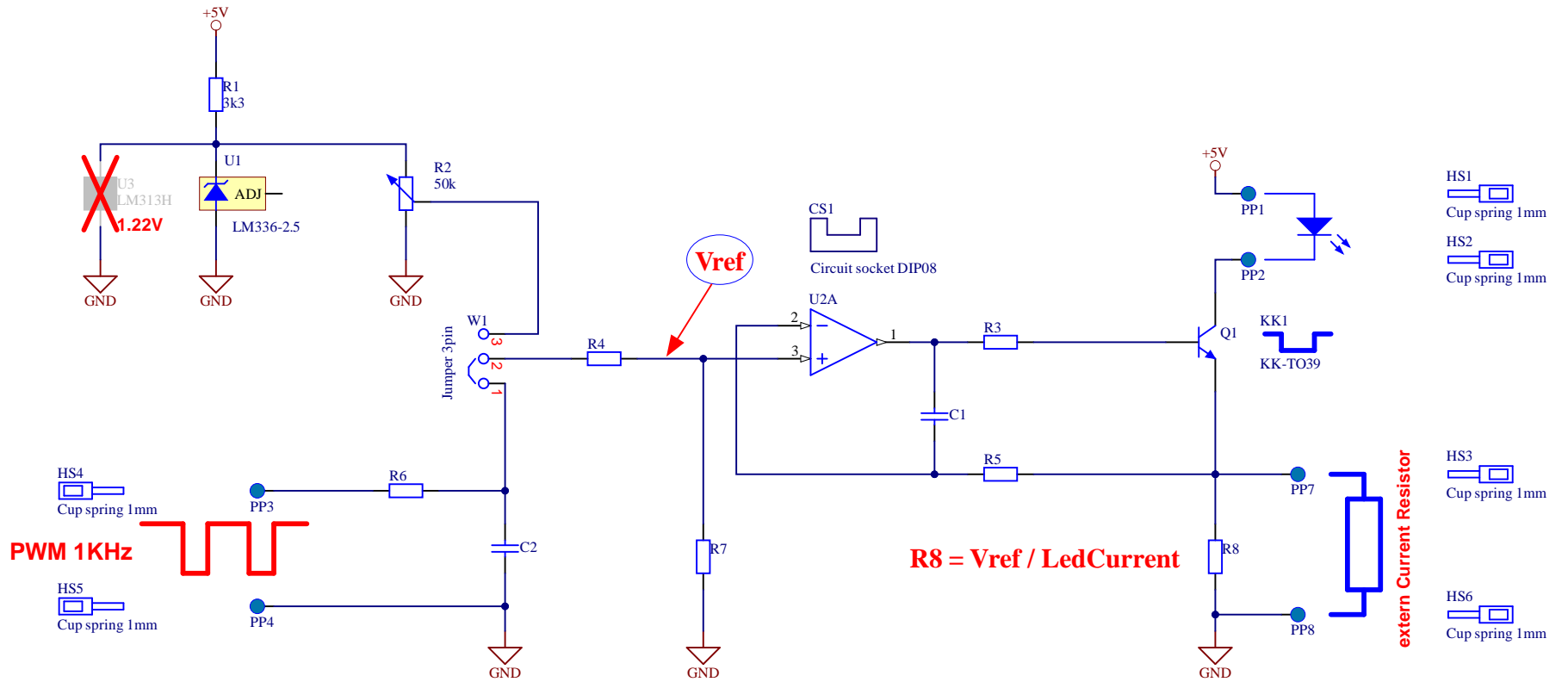
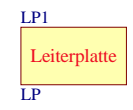
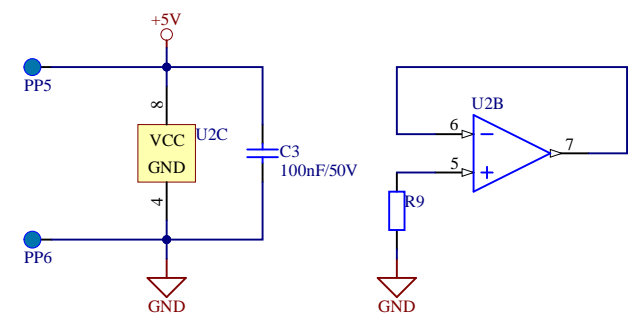


Variant of CCC-V01-Ref 2.5



extern Current Resistor

$$R8 = Vref / LedCurrent$$



| | | | |
|----------------------------------|----------------|---|--|
| Title Current Control V01 | | S.Hofmann mcu@shotech.de http://www.shotech.de Revision: 0.0 | |
| Size: A4 | Description: * | | |
| Date: 22.02.2026 | Time: 01:12:17 | Sheet 1 of 1 | |
| File: Current-Control-V01.SchDoc | | | |

